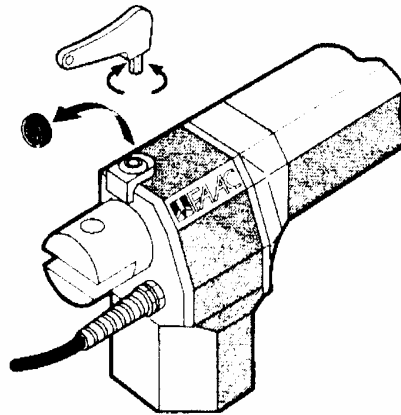


Manual Release Instructions for FAAC 412 drive system.

Manual Operation

Swing Gates, with 412 rams

1. Turn off mains power if possible.
2. Remove plastic plug on top of each unit [1 per side]. Insert the special manual release key into keyhole, turn in the direction of leaf closing. Note with a pair of gates this is different each side. Remove key and repeat for the other side if applicable. The ram is now in manual.



3. If you have a pair of gates repeat to both sides.
4. Push open the gate[s] – they will now be free moving.
5. You can lock them open or closed by moving the gates to the required position and then using the key to place them back into automatic mode- see No 6 below.
6. To return to automatic operation, insert key and turn each in the direction of leaf opening. Repeat to both sides if you have a pair of gates. Replace plastic plugs.
7. Turn on mains power. Operate gates with any form of control device for 1 cycle.

In the event of a problem please call our office for assistance.

Keep your system keys and release instructions in a known place and inform other staff or users of their location.